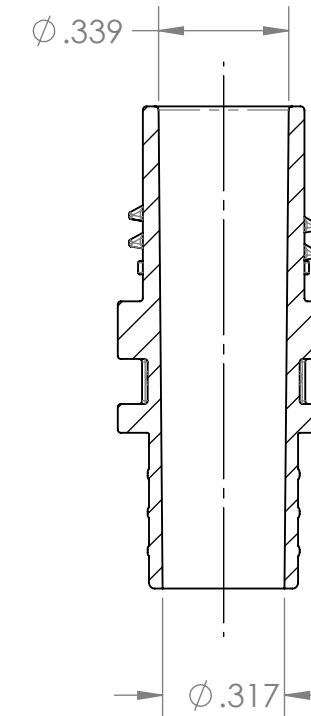
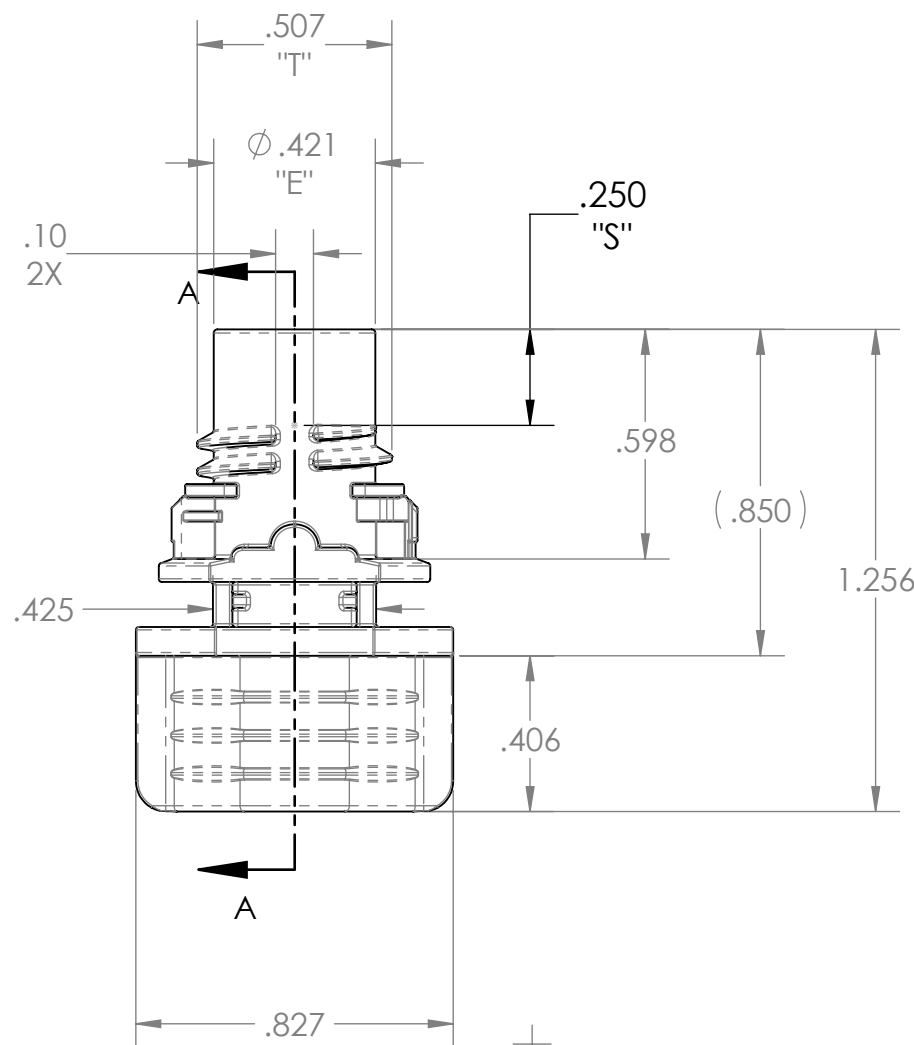
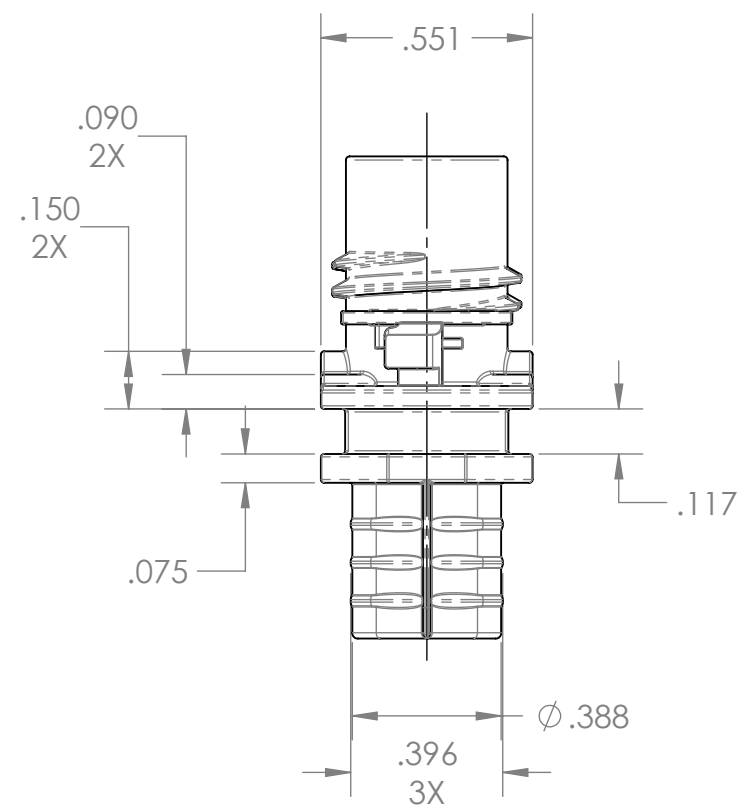
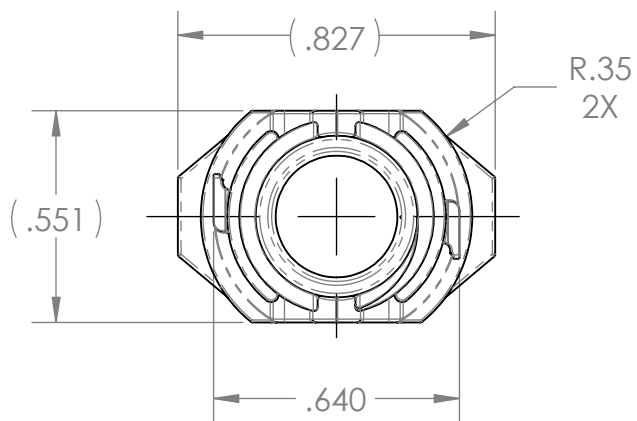
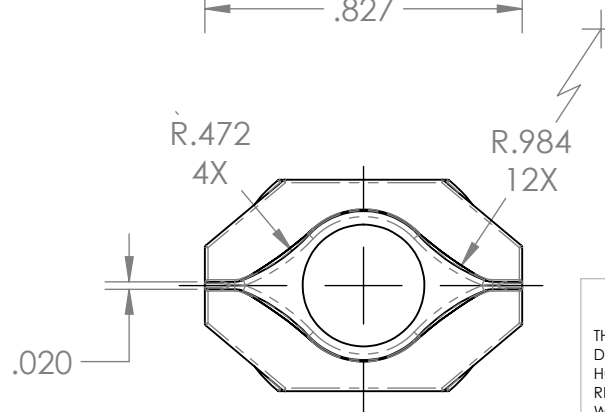


Note:
1) Thread 14TPI with 1.5 full turns



SECTION A-A



PROPRIETARY AND CONFIDENTIAL
THE INFORMATION CONTAINED IN THIS DRAWING IS THE SOLE PROPERTY OF HOFFER PLASTICS CORP. ANY REPRODUCTION IN PART OR AS A WHOLE WITHOUT THE WRITTEN PERMISSION OF HOFFER PLASTICS CORP. IS PROHIBITED.

UNLESS OTHERWISE SPECIFIED:
DIMENSIONS ARE IN INCHES
TOLERANCES:
ANGULAR: ±10°
X.XX ±.015
X.XXX ±.008
INTERPRET GEOMETRIC TOLERANCING PER:
MATERIAL PE or PP
FINISH
DO NOT SCALE DRAWING

NAME	CAW	DATE	12-10-15
DESIGN APPROVED	CAW	DATE	12-10-15
COMMENTS:			

Trust-T-Lok F®
Customer Drawing

TITLE: **TTL-F SPOUT**

SIZE	DWG. NO.	REV
B	C-HP-2-00010	H

SCALE: 2:1 SHRINK: SHEET 1 OF 1

REV.	DESCRIPTION	DATE	APP
H	Changed drawing back to inch	2/9/2018	BMB
G	Changed dimensioning from inch to mm. Changed name from FITMENT to TTL-F Spout	10/31/2017	BMB
F	Added new anti-shingling detail, added .150, .850 was .835, .406 was .421, .075 was .060.	2/17/2017	BMB
E	.117 was .110, .421 was .438, added .090 (was .080), added .060 (was .050)	2/9/2017	BMB
D	Modified stop flange. Removed draft from track slot. .110 was .120, .10 was .098, .35 was .350. Removed Detail E. Removed reference dimensions.	2/2/2017	BMB
C	Added stop flange and anti-stack ribs, .425	12/7/2016	BMB
B	.534 Was .396	2/24/2016	CAW
A	REMOVED GAP	1/13/2016	CAW