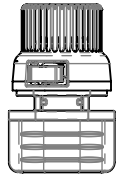
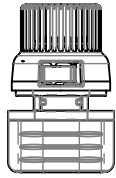


NOTE: LOCATION OF WINDOW SHOULD NOT EXCEED POSITIONS SHOWN REF: +/- 20°

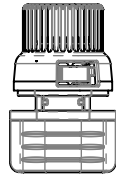
ITEM	Number	DESCRIPTION	Mat'l
1	HP-2-00010	TTL-F SPOUT	PE or PP
2	HP-1-00010	TTL-FK CAP	PP



MAXIMUM

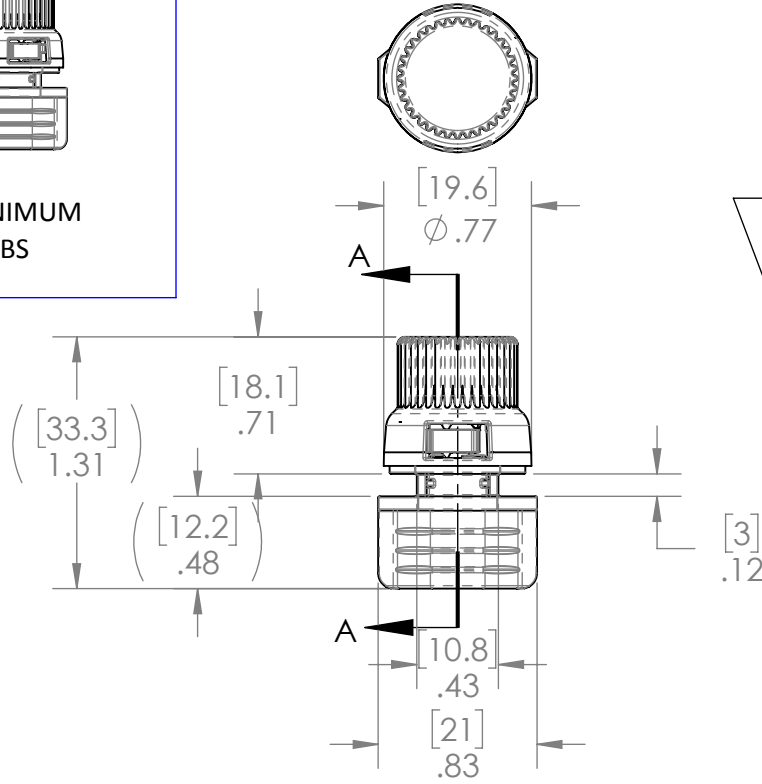
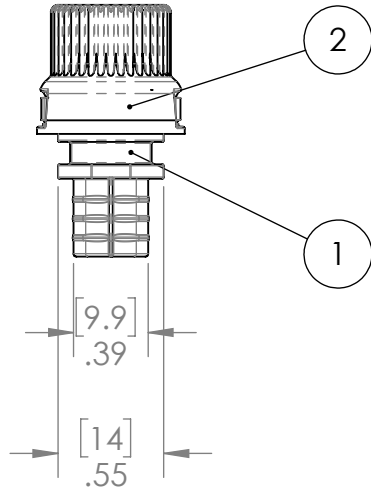


NOMINAL

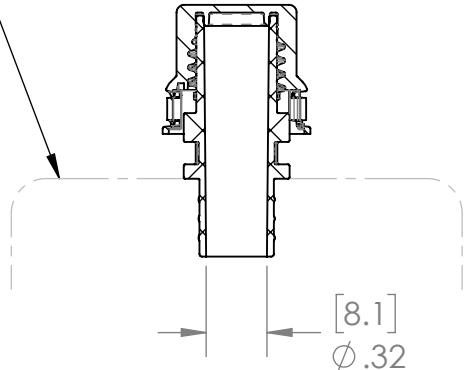


MINIMUM

APPROX TORQUE @ NOMINAL 5.7 IN LBS



POUCH LOCATION TO THE FITMENT SHOWN FOR REFERENCE ONLY



SECTION A-A

**PROPRIETARY AND CONFIDENTIAL**  
 THE INFORMATION CONTAINED IN THIS DRAWING IS THE SOLE PROPERTY OF HOFFER PLASTICS CORP. ANY REPRODUCTION IN PART OR AS A WHOLE WITHOUT THE WRITTEN PERMISSION OF HOFFER PLASTICS CORP. IS PROHIBITED.

A	Released		3/29/2019	BMB
REV.	DESCRIPTION		DATE	APPROVED
UNLESS OTHERWISE SPECIFIED:				
DIMENSIONS ARE IN INCHES MM SHOWN FOR REFERENCE ONLY				
TOLERANCES: ANGULAR: ±10° X.XX ±.015 X.XXX ±.008				
INTERPRET GEOMETRIC TOLERANCING PER:				
MATERIAL				
FINISH				
DO NOT SCALE DRAWING				
NAME		DATE		<h1>Trust-T-Lok F<sup>®</sup></h1> <p>Customer Drawing</p>
DRAWN		29MAR19		
DESIGN APPROVED				
COMMENTS:				
TITLE: TTL-FK CAP AND SPOUT SHOWN ASSEMBLED REFERENCE ONLY				
SIZE	DWG. NO.		REV	
<b>A</b>	C-HP-3-00014		<b>A</b>	
SCALE: 1:1		Shrink:		SHEET 1 OF 1