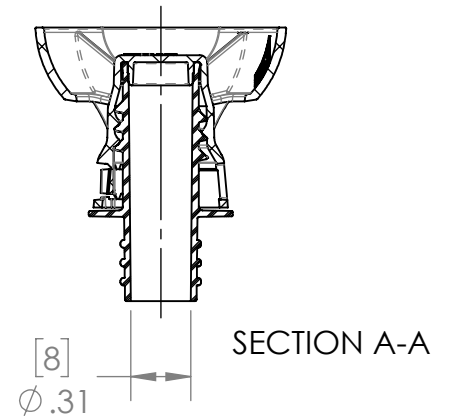
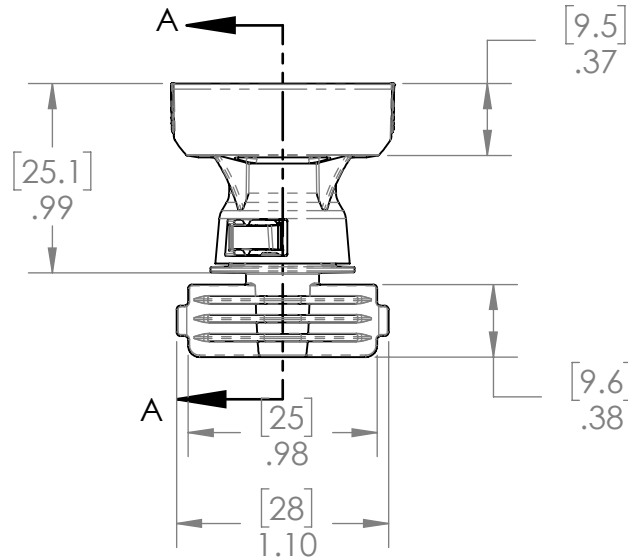
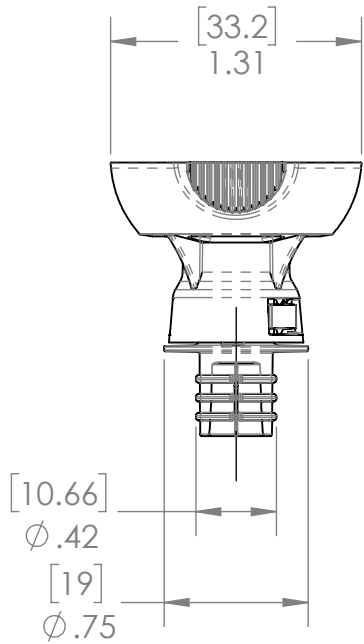
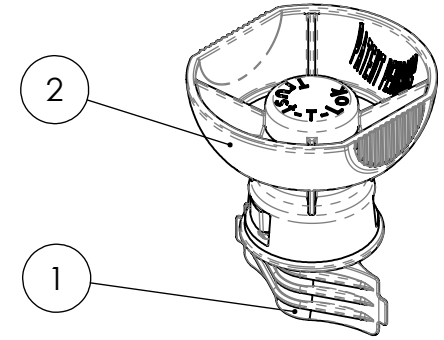
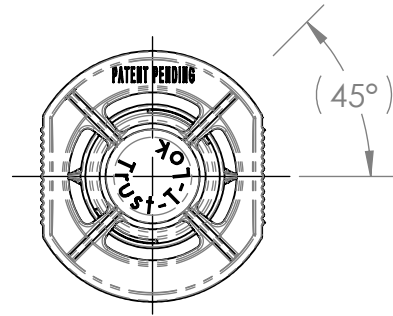


ITEM NO.	Number	DESCRIPTION	Material
1	HP-2-00006	TTL Reduced Torque Fitment	PE
2	HP-1-00005	TTL 12.5mm Flat Side Cap	PP



A	RELEASED	10/9/19	BMB
REV.	DESCRIPTION	DATE	APPROVED

UNLESS OTHERWISE SPECIFIED:

DIMENSIONS ARE IN INCHES
MM SHOWN FOR REFERENCE
ONLY

TOLERANCES:
ANGULAR: $\pm 10^\circ$
X.XX $\pm .015$
X.XXX $\pm .008$

INTERPRET GEOMETRIC
TOLERANCING PER:

MATERIAL

FINISH

DO NOT SCALE DRAWING

	NAME	DATE
DRAWN	BMB	09OCT19
DESIGN APPROVED	BMB	09OCT19
COMMENTS:		

Weight (REF): 3.5g

Trust-T-Lok ®

TITLE: Customer Drawing
TTL Standard Torque
(LT Base)

SIZE	DWG. NO.	REV
A	C-HP-3-00016	A

SCALE: 1:1 Shrink: SHEET 1 OF 1

PROPRIETARY AND CONFIDENTIAL
THE INFORMATION CONTAINED IN THIS
DRAWING IS THE SOLE PROPERTY OF HPC.
ANY REPRODUCTION IN PART OR AS A
WHOLE WITHOUT WRITTEN PERMISSION IS
PROHIBITED.