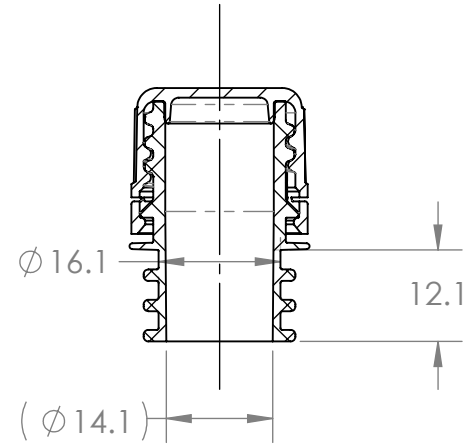
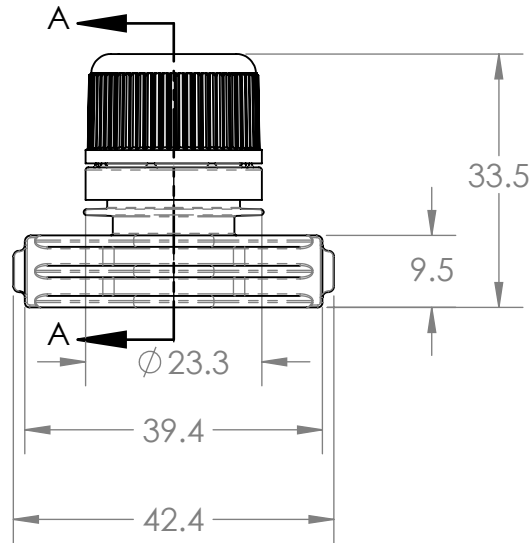
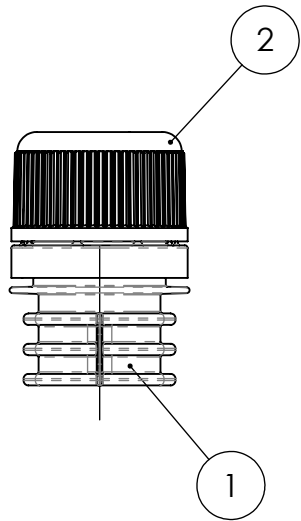
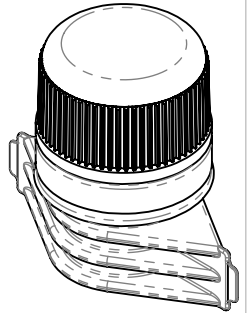
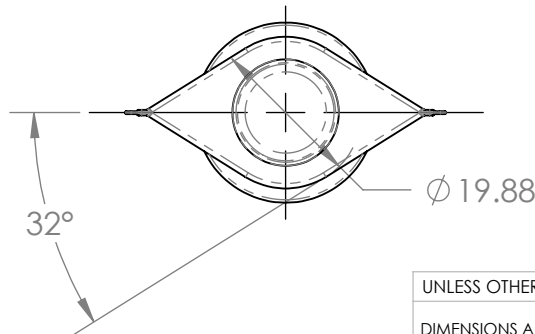


ITEM NO.	PART NUMBER	DESCRIPTION	Material	QTY.
1	HP-2-00011	P20 Fitment	PE	1
2	HP-5-00001	20mm Linerless Drop-Lok	PP	1

REMOVAL TORQUE: 8±4 IN-LBS



SECTION A-A



PROPRIETARY AND CONFIDENTIAL
 THE INFORMATION CONTAINED IN THIS DRAWING IS THE SOLE PROPERTY OF HOFFER PLASTICS CORP. ANY REPRODUCTION IN PART OR AS A WHOLE WITHOUT THE WRITTEN PERMISSION OF HOFFER PLASTICS CORP. IS PROHIBITED.

UNLESS OTHERWISE SPECIFIED:		NAME	DATE
DIMENSIONS ARE IN MM		DRAWN	BMB 14APR17
TOLERANCES:		DESIGN APPROVED	
ANGULAR: ±5°		COMMENTS:	
X.X ±0.38			
X.XX ±0.20			
INTERPRET GEOMETRIC TOLERANCING PER:			
MATERIAL			
FINISH			
DO NOT SCALE DRAWING			

Hoffer Plastics Corp.
 500 N. Collins St.
 So. Elgin, Il. 60177



TITLE:
**Drop-Lok P20
 Fitment Assembly**

SIZE	DWG. NO.	REV
A	C-HP-3-00013-xxxx	D

SCALE: 1:1 Shrink: SHEET 1 OF 1