

NOTES:

8 THREADS PER INCH

DEVIATIONS FROM REFERENCE DIMENSIONS WHICH WILL NOT AFFECT FUNCTION ARE ACCEPTABLE.

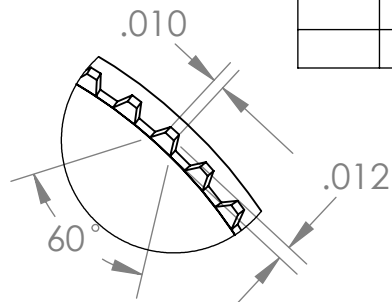
HEIGHT DIMENSIONS SUBJECT TO VARIATION DUE TO "CRUSHING" DURING PART EJECTION.

BOTTLE I.D. SHOULD BE 0.576 ±.005 TO PROPERLY MATE WITH THE PLUG SEAL. FOR ALL OTHER BOTTLE FINISH DIMENSIONS, PLEASE REFER TO DRAWING NUMBER 1787.

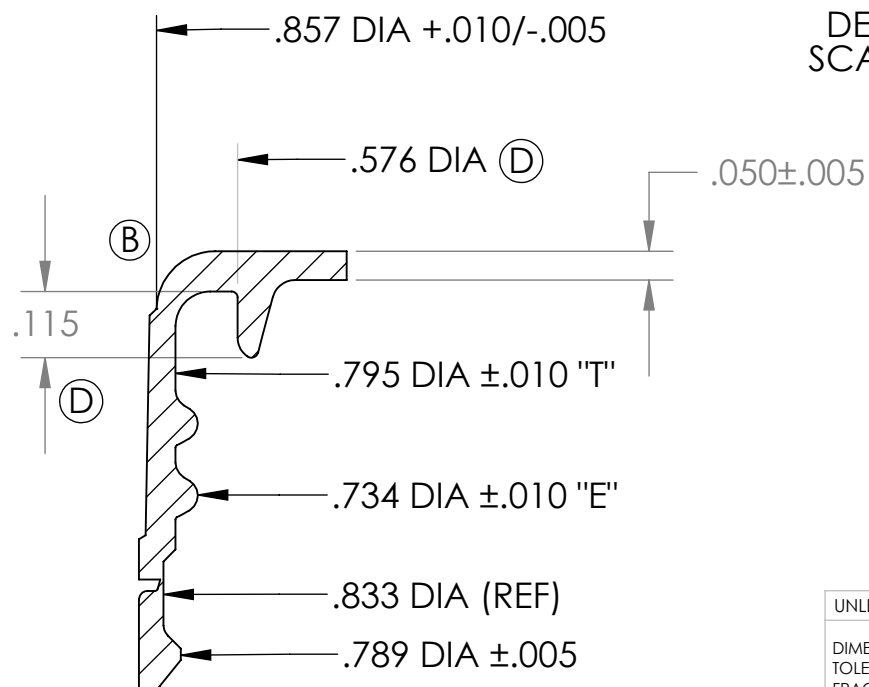
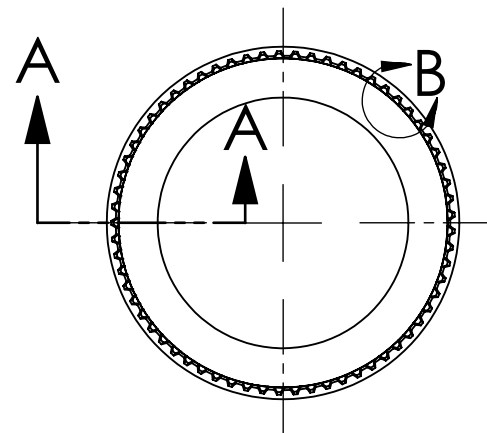
THE DROP-LOK® CLOSURE IS NOT A VENTED CLOSURE AND SHOULD NOT BE USED ON APPLICATIONS THAT PRODUCE INTERNAL PRESSURE IN THE BOTTLE DUE TO CARBONATION, FERMENTATION, ETC.



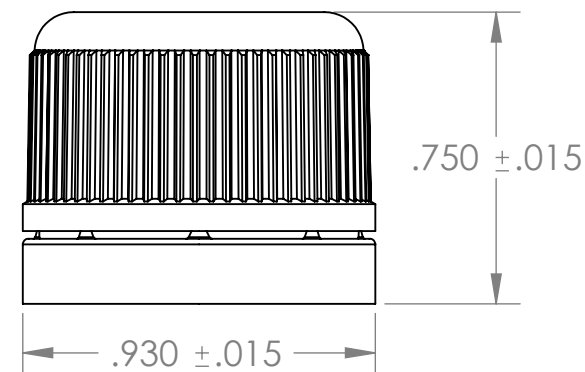
REVISIONS				
ZONE	REV.	DESCRIPTION	DATE	APPROVED
	A	Drawing Released	8/22/2007	KJT
	B	Revised shape of plug seal.	5/1/2008	WEI
	C	Added non-vented closure note.	3/16/12	WEI
	D	Revised plug seal	7/24/2017	BMB



65 KNURLS
DETAIL B
SCALE 6 : 1



SECTION A-A
SCALE 3 : 1



PLASTIC FINISH: 1787

PROPRIETARY AND CONFIDENTIAL
THE INFORMATION CONTAINED IN THIS DRAWING IS THE SOLE PROPERTY OF HOFFER PLASTICS CORP. ANY REPRODUCTION IN PART OR AS A WHOLE WITHOUT THE WRITTEN PERMISSION OF HOFFER PLASTICS CORP. IS PROHIBITED.

UNLESS OTHERWISE SPECIFIED:	NAME	DATE
DIMENSIONS ARE IN INCHES	DRAWN	WEI 4/27/09
TOLERANCES:	DESIGN	
FRACTIONAL ±	APPROVED	
ANGULAR: ± 1°	COMMENTS:	
TWO PLACE DECIMAL ± .010		
THREE PLACE DECIMAL ± .005		
INTERPRET GEOMETRIC TOLERANCING PER:		
MATERIAL		
POLYPROPYLENE		
FINISH		
DO NOT SCALE DRAWING		

Hoffer Plastics Corp.
500 N. Collins St.
So. Elgin, IL 60177



TITLE:
**20mm Linerless
DROP-LOK® Closure**

SIZE	DWG. NO.	REV
A	CA 20 NL	D

SCALE: 2:1 Shrink: SHEET 1 OF 1