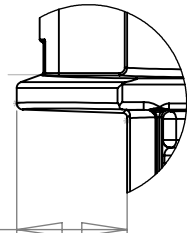


8 7 6 5 4 3 2 1

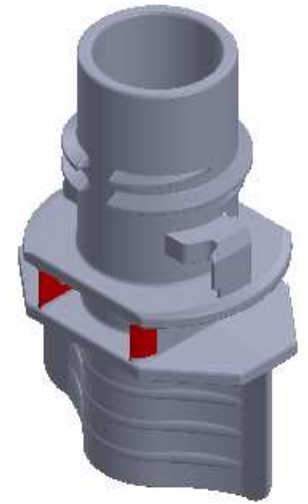
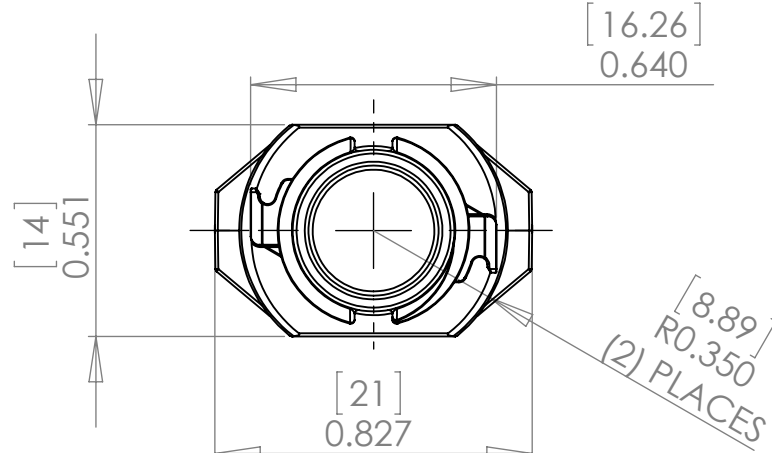
D

D

[3.66]  
0.144 ±.005  
(2) PLACES



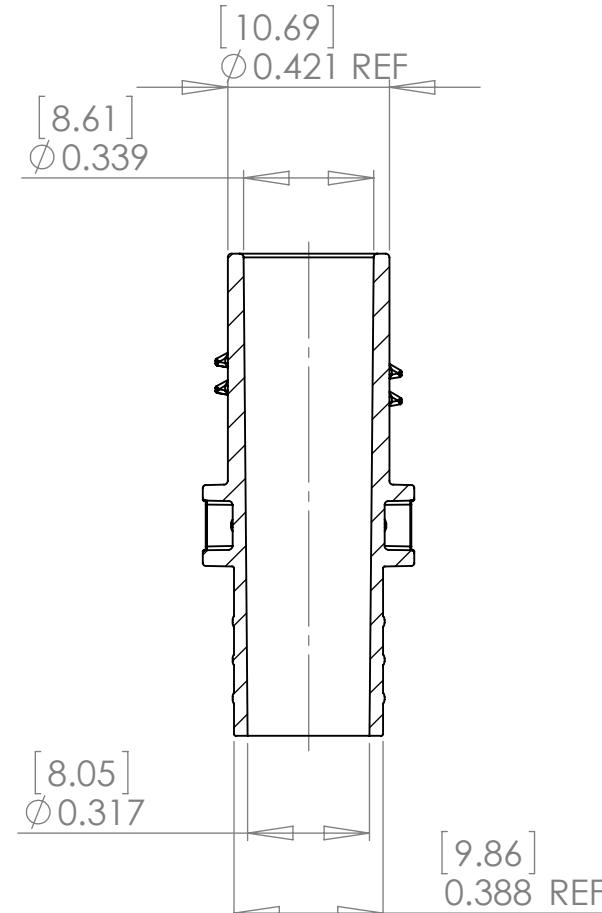
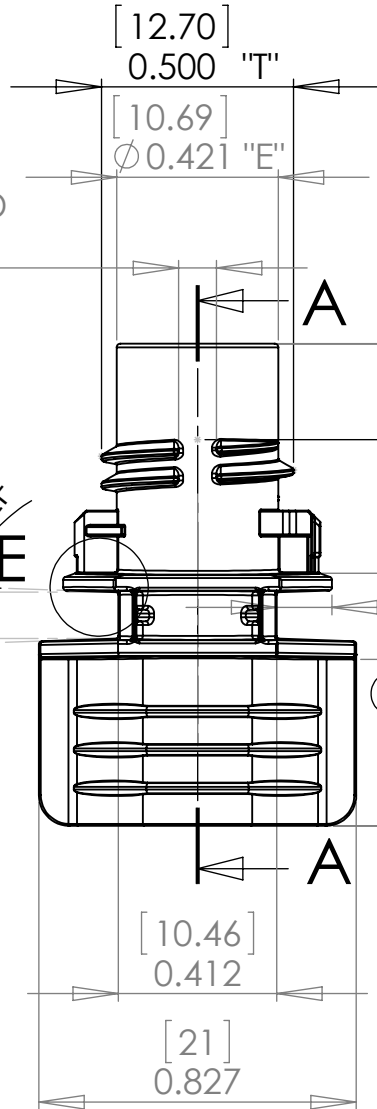
**DETAIL E**  
SCALE 4 : 1



C

C

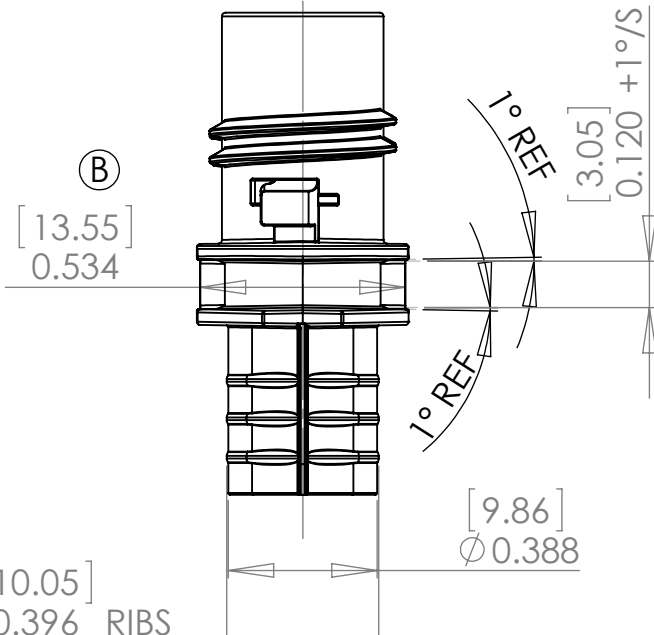
[2.50]  
0.098 INTERRUPTED THREAD  
(2) PLACES



**SECTION A-A**

B

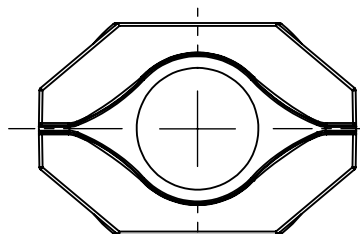
B



**Note:**  
1) Thread pitch to be .071 with 1.5 full turns

A

A



**PROPRIETARY AND CONFIDENTIAL**  
THE INFORMATION CONTAINED IN THIS DRAWING IS THE SOLE PROPERTY OF HOFFER PLASTICS CORP. ANY REPRODUCTION IN PART OR AS A WHOLE WITHOUT THE WRITTEN PERMISSION OF HOFFER PLASTICS CORP. IS PROHIBITED.

UNLESS OTHERWISE SPECIFIED:  
DIMENSIONS ARE IN INCHES/MM  
TOLERANCES:  
FRACTIONAL ± .050  
ANGULAR: MACH ± 10°  
TWO PLACE DECIMAL ± .015  
THREE PLACE DECIMAL ± .008

INTERPRET GEOMETRIC TOLERANCING PER:  
MATERIAL: HDPE or PP  
FINISH:  
DO NOT SCALE DRAWING

NAME	CAW	DATE	12-10-15
DESIGN APPROVED	CAW	DATE	12-10-15
COMMENTS:			

**Trust-T-Lok F ®**  
Customer Drawing  
**FITMENT**

SIZE	DWG. NO.	REV
<b>B</b>	C-HP-2-00010	<b>B</b>

SCALE: 2:1    SHRINK:    SHEET 1 OF 1

REV.	ZONE	DESCRIPTION	DATE	APPROVED
B	B4, 2-A4	.534 Was .396	2/24/2016	CAW
A	A2, 2-A2	REMOVED GAP	1/13/2016	CAW

8 REVISIONS 6